

6ft Surface Thermoplastic Steel Bench



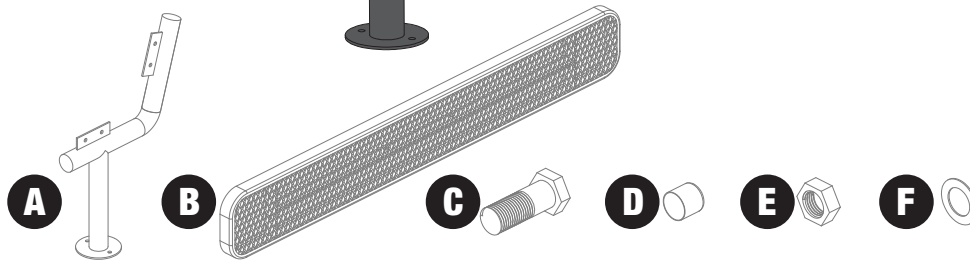
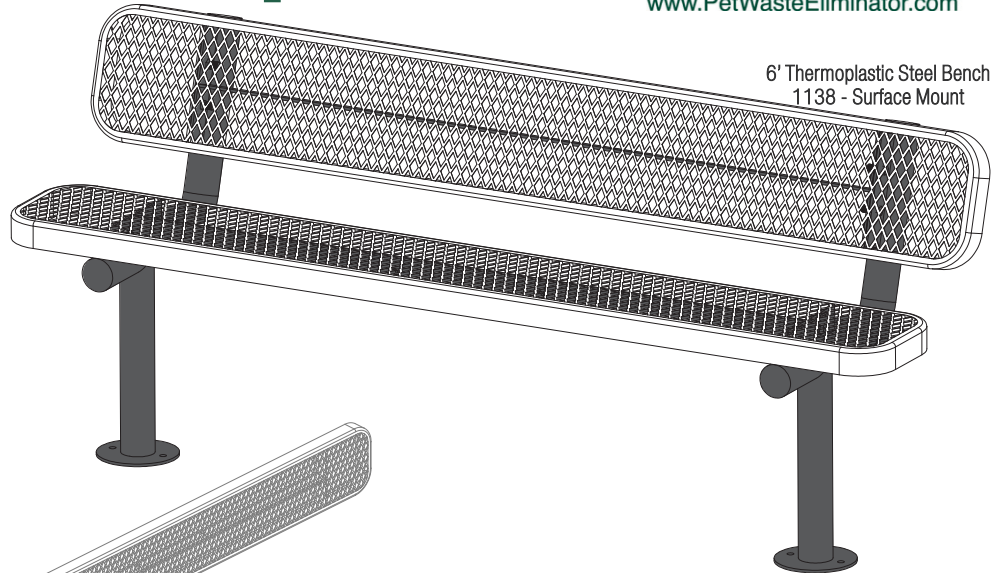
6' Thermoplastic Steel Bench
1138 - Surface Mount

Parts Include:

- A. 2 Side Frames
- B. 2 Seat Planks
- C. 8 1 1/2" Bolts
- D. 8 Vinyl Bolt Caps
- E. 8 Nuts
- F. 16 Flat Washers

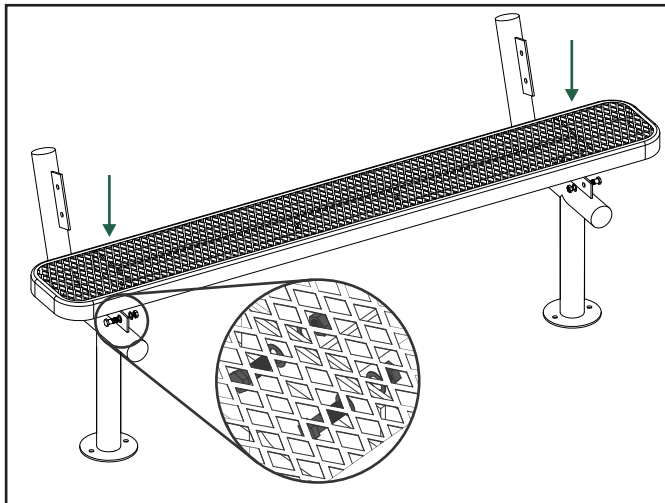
Required Tools for this installation:

- Open Face Wrench
- Socket Wrench
- Level
- Personal protective equipment



Assembly Instructions:

1. Attach the bottom seat plank (B), as shown below, making use of 4 of the provided 1 1/2" bolts (C). Make sure to use two washers (F) and a nut (E) per each bolt installation. Hand tighten all hardware until instructed otherwise.

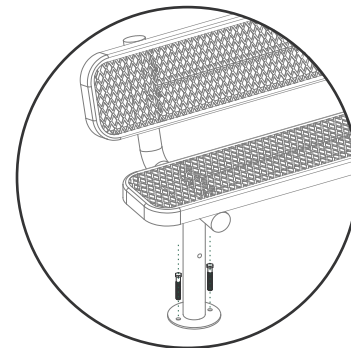


2. Repeat the latter step to install the upper seat plank (B).

3. Adjust bench with the use of a level while tightening all bolts with an Open Face Wrench and Socket Wrench.

4. Install bolt caps (D) on all bolts.

5. Attach bench to desired surface by installing appropriate hardware through the openings at the side frame's base. Hardware not provided.



Maintenance:

Make sure to perform a visual inspection of the product at least once a year. Check hardware tightness regularly to prolong the product's use life. If cleaning is necessary, use warm water and household cleaners. Avoid any harsh chemicals such as paint remover or acetone. If surface rust occurs, remove it and repaint the affected area.

You may contact us for cleaning and painting products recommendations.

PET WASTE ELIMINATOR'S 6' THERMOPLASTIC STEEL BENCH:

- ★ 5 year Guarantee!
- ★ Easy assembly - install it in minutes!
- ★ UV Resistant!