

ITEM: E20

# Plastic Pet Waste Station

## Plastic Kit Includes:

- A. 1 12"x12" Aluminum Sign (Item E837)
- B. 1 Dispenser Box with Key (Item E1)
- C. 1 8-ft Steel Sign Post (Item E18)
- D. 1 Plastic Trash Receptacle with attached lid (Item E12)
- E. 3 Mounting Hardware Sets— each set includes 2 nuts, bolts and washers
- F. 200 Pet Waste Bags (Item E41)
- G. 50 Trash Receptacle Liners

## Optional Tools Needed:

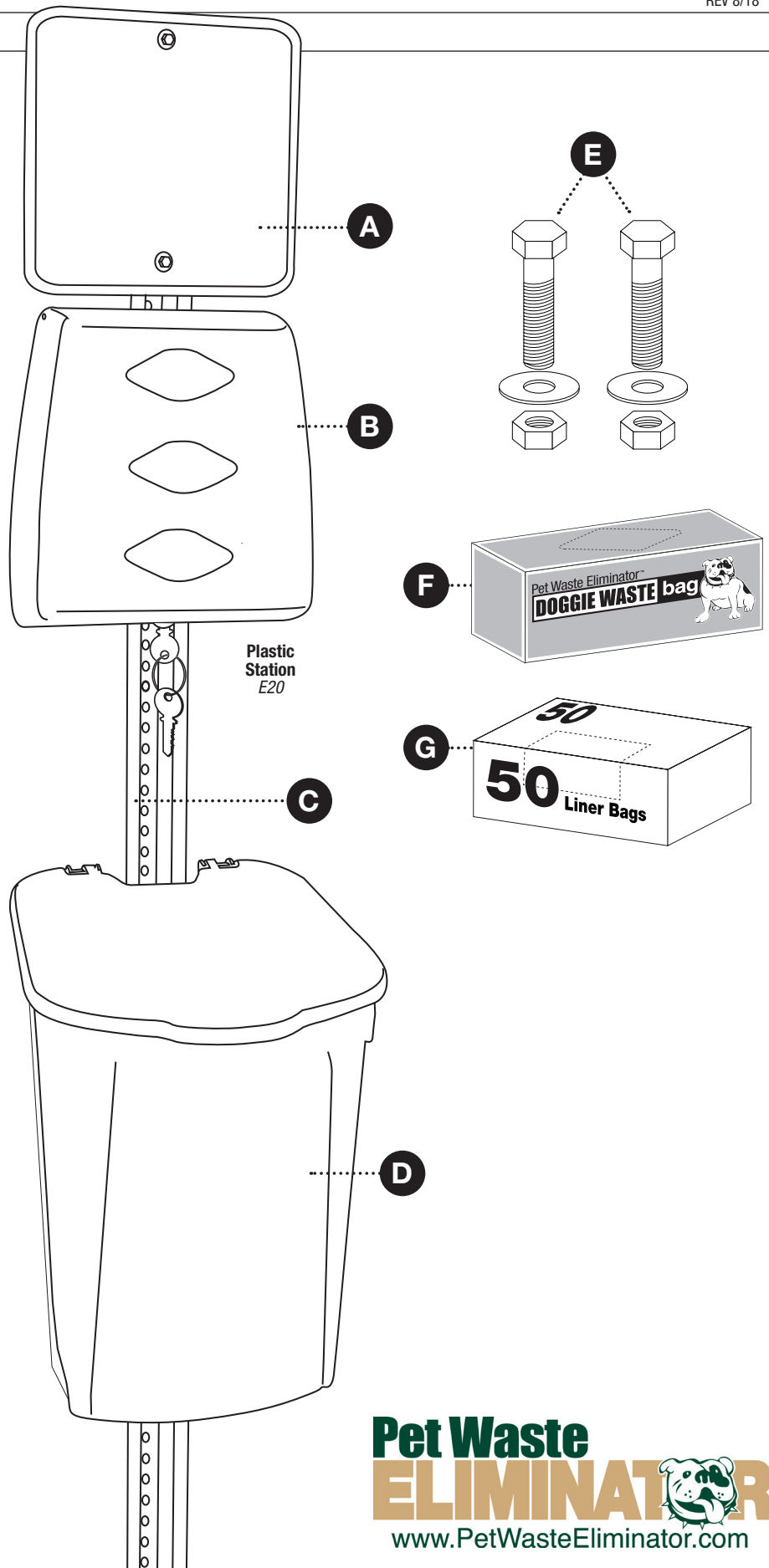
- Socket Driver or Adjustable Wrench
- Level
- Post Hole Driver

### PET WASTE ELIMINATOR STATIONS:

- ★ 5-year Money-Back Guarantee
- ★ Boxes lock for extra security
- ★ Universal Fit holds any brand of pet waste bags!

### NEVER RUN OUT OF BAGS AGAIN!

**Join our exclusive Refill Program and get FREE SHIPPING on every Bag Order!**  
**Call to join today!**



**Pet Waste ELIMINATOR**  
 www.PetWasteEliminator.com

## 1. Pole Installation

---

Using a post hole driver (not included), drive the sign post (C) approximately 15-18" into the ground. Make sure that the "hollow" or "recessed" side of the post is facing where you want the front of the unit to face. We recommend that the pole is no less than 15" underground to support the weight of the waste receptacle (D) properly. Use a level (not included) to ensure the pole is standing upright and will properly support the unit. Adjust if necessary.

## 2. Station Assembly

---

**1.** Using the first hardware set (E), secure the sign (A) to the top of the steel post (C) with a bolt and washer at the top of the sign and another at the bottom. The washers should be next to the printed side (front) of the sign and the nuts are secured on the outside/back of the post. To ensure the best outcome, make sure the sign is flush with the top of the pole.

**2.** Using the second hardware set (E), attach the dispenser box (B) directly under the sign leaving about 1" in-between. Open the box, align the holes to the steel post and attach with the two bolts. The washers should be used on the inside of the box with the nuts secured to the outside/back of the post.

**3.** Using the final hardware set (E), secure the trash receptacle (D) to the steel post at the top and the bottom with the washers facing the inside of the trash can and the nuts on the outside/back of the post. Make sure that the receptacle is approximately 12 inches below the dispenser box to allow for the lid to be open and trash to be easily removed. This should leave your receptacle approximately 6 inches off the ground which will help prevent any damage to the station from bad weather conditions.

## 3. Station Preparation

---

Insert one trash liner (G) into the waste receptacle and fold over the rim. Open the dispenser box and insert the included box of bags (F) inside the dispenser. (**Note:** Each dispenser box holds up to 3 boxes of pet waste bags). Close and lock the station, pull the top bag through the hole and you're all set!

**Please contact us immediately if you have any missing or damaged items or need any additional assistance. Thank you.**

