

ITEM: E4

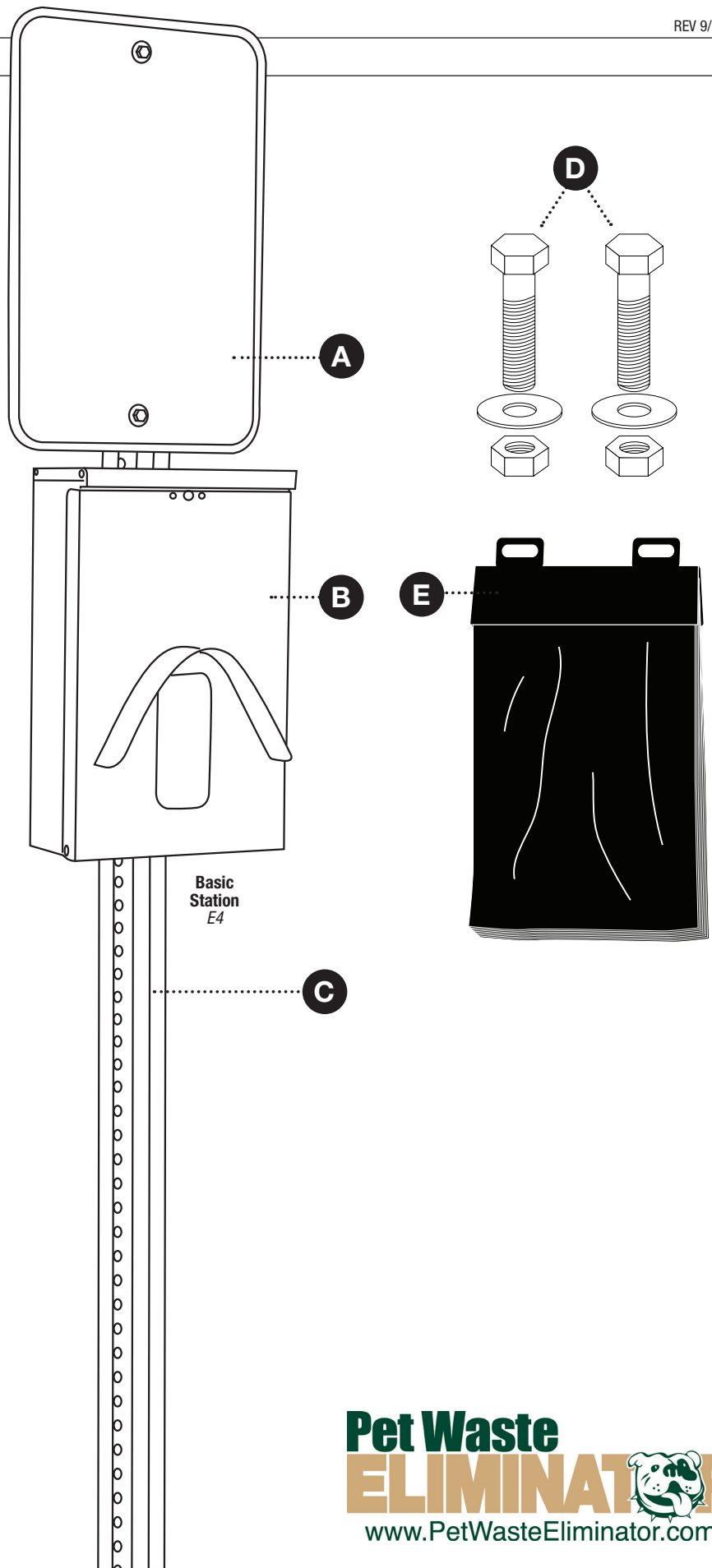
Basic Pet Waste Station

Basic Kit Includes:

- A. 1 12"x18" Aluminum Sign (*Item E802*)
- B. 1 Dispenser Box (*Item E1*)
- C. 1 7-ft Steel Sign Post (*Item E17*)
- D. 2 Mounting Hardware Sets— each set includes 2 nuts, bolts and washers
- E. 80 Pet Waste Bags (*Item E41*)

Optional Tools Needed:

- Socket Driver or Adjustable Wrench
- Level
- Post Hole Driver



PET WASTE ELIMINATOR SUPERIOR STATIONS:

- ★ Lifetime Guarantee
- ★ Rust-Proof Construction
- ★ Universal Fit holds all bags on header cards or rolls

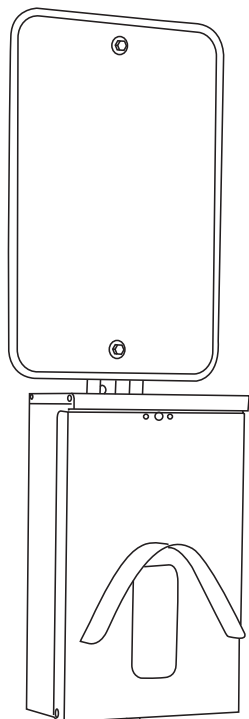
NEVER RUN OUT OF BAGS AGAIN!

Join our exclusive, no-obligation Refill Program & save HUNDREDS of dollars each year!

Call to join today!

Pet Waste ELIMINATOR  TM
www.PetWasteEliminator.com

1. Pole Installation



Using a post hole driver (not included), drive the sign post (C) approximately 15-18" into the ground. Make sure that the "hollow" or "recessed" side of the post is facing where you want the front of the unit to face. Use a level (not included) to ensure the pole is standing upright and will properly support the unit. Adjust if necessary.

2. Station Assembly

1. Using the first hardware set (D), secure the sign (A) to the top of the steel post (C) with a bolt and washer at the top of the sign and another at the bottom. The washers should be next to the printed side (front) of the sign and the nuts are secured on the outside/back of the post. To ensure the best outcome, make sure the sign is flush with the top of the pole.
2. Using the second hardware set (D), attach the dispenser box (B) directly under the sign leaving about 1" in-between. Open the box, align the holes to the steel post and attach with the two bolts. The washers should be used on the inside of the box with the nuts secured to the outside/back of the post.

3. Station Preparation

Open the dispenser box and insert up to 10 header cards of bags (E) onto the prongs inside the dispenser. Close the station, pull the top bag through the hole and you're all set!

Note: This dispenser fits all types of bags. If you are using boxed bags (Item **E40**), you will need to slip a converter (Item **E22**) onto the prongs inside the dispenser and insert the boxes into the converter.

Please contact us immediately if you have any missing or damaged items or need any additional assistance. Thank you.

