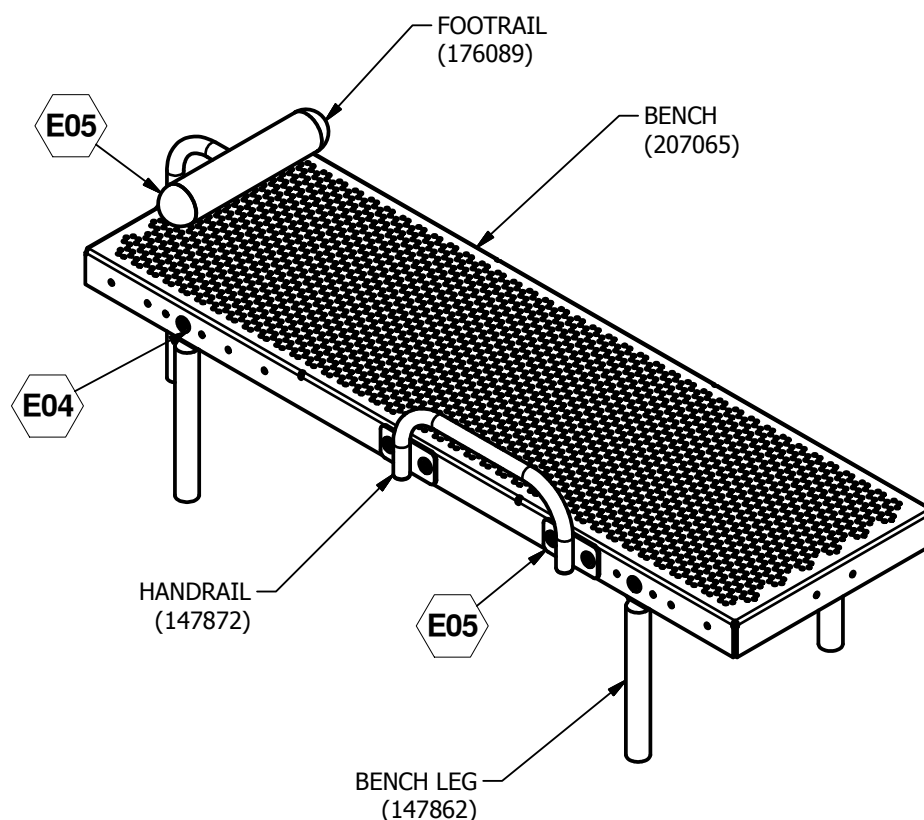




# SIT UP

## **MAINTENANCE PROCEDURE:**

Periodically check hardware for tightness, and tighten as necessary. Always check parts for breakage or wear, and immediately put equipment out of service until any faulty parts are repaired or replaced. Check all decks for Plastisol coating peeling and touch up with Plastisol if necessary. Check for obstructed holes on deck, clean if necessary. Periodically check resilient surfacing for appropriate depth, and remove extraneous materials that could cause injury, infection, or disease. Maintain detailed installation, inspection, maintenance, and repair records for each public-use playground equipment.



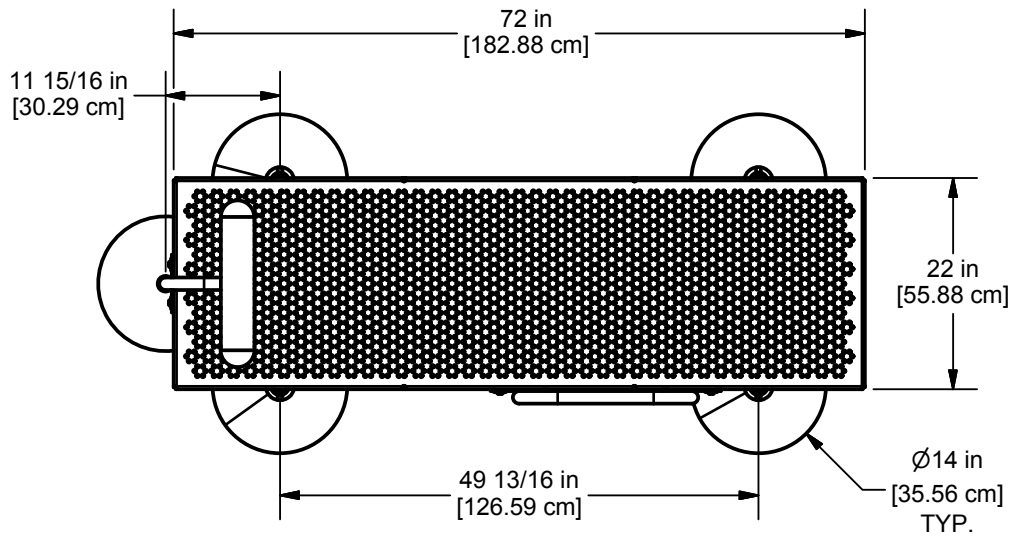
**NOTE:**  
MINIMUM OF ONE USAGE/WARNING LABEL  
SIGN POST (UP197) MUST BE USED WITH EACH  
SIT UP. SEE SIGN POST  
INSTALLATION SHEET FOR INSTALLATION DETAILS.

**SIGN POST MUST BE OUTSIDE MAXIMUM SPACE IN WHICH  
THE USER AND EXERCISE EQUIPMENT COMPONENTS  
TRAVERSE WHEN THE EQUIPMENT IS OPERATED.**

## **FINISHED ASSEMBLY**

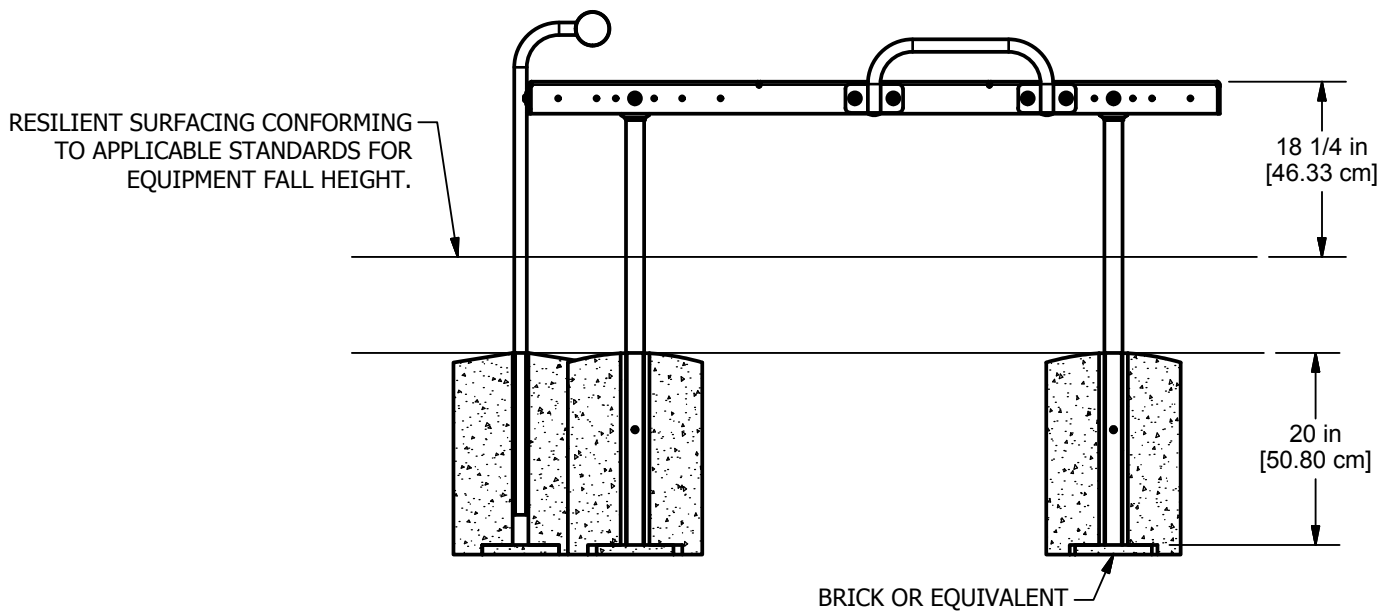
 = INSTALLATION DETAIL

# SIT UP

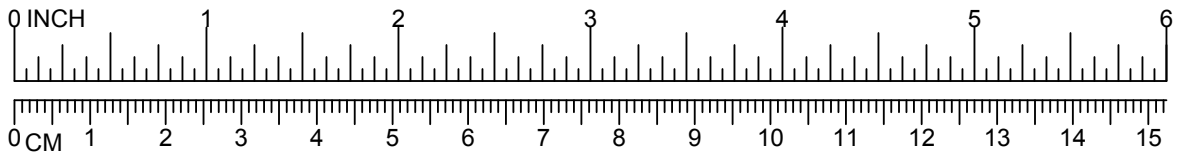


**PLAN VIEW**

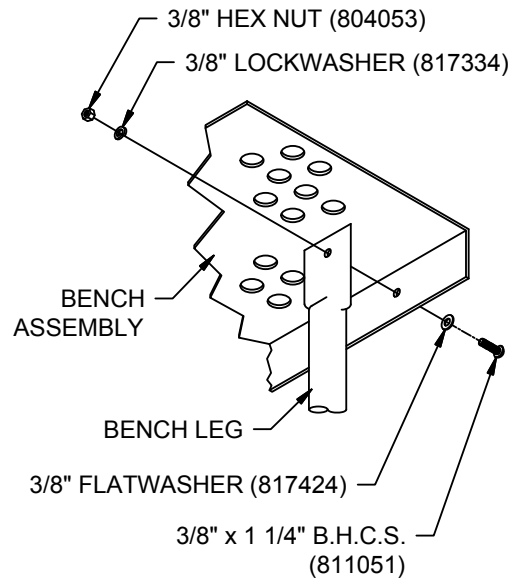
**CONCRETE REQUIRED:**  
.4 CUBIC YARDS  
[.3 CUBIC METERS]



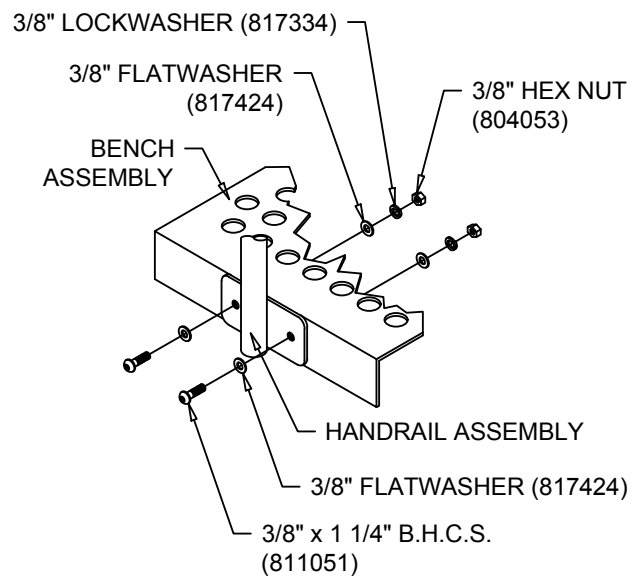
**ELEVATION VIEW**



## SIT UP



**E04**



**E05**