

KNEE LIFT

PARTS LIST		
DESCRIPTION	QTY	PART NUMBER
KNEE LIFT	1	147812
HARDWARE COMPLETE	1	403972
1/2" ANCHOR ROD	1	135038*
USAGE/WARNING LABEL	1	403865*

Unless Otherwise Specified, All Units of Measure are Each

**Items listed below Hardware Complete line are included with Hardware Complete Number*

Warning: During Installation, Hardware And Small Parts Are Choking Hazards For Young Children. Store Unused Parts Appropriately Until Assembly Is Completed. Once Assembly Is Completed, Remove Any Unused Parts From The Play Environment And Dispose/Save Them In A Secure Location.

Note: Peen Tee-Nuts and Flatwashers to match radius of pipe after assembly is complete.

Note: Loctite (supplied by others) should be used on any non-patch hardware.

SPECIFICATIONS:

KNEE LIFT: Shall be an all-welded construction fabricated of 3-1/2" O.D. (13 gauge) galvanized pipe and formed 1-5/16" O.D. galvanized pipe Climber Loops. Assembly shall also consist of a cast aluminum cap and self-sealing pop rivets.

FINISH: Knee Lift Assembly shall have a powder coat finish.

HARDWARE: All nuts, bolts, screws, inserts, and lockwashers used in the assembly of all play equipment, shall be stainless steel, yellow dichromate plated steel, blue-coat plated steel, mechanically galvanized or powder coated/yellow dichromate plated steel. All primary fasteners shall be 300 series stainless steel. Fasteners with yellow dichromate treatment have an electro deposited, 99.9% pure zinc substrate applied from a specially formulated solution sealed with a yellow dichromate top coat designed to work in conjunction with the zinc plating. Yellow dichromate has a 320% longer life to white corrosion and 275% longer to red corrosion than does hot-dip galvanizing.

INSTALLATION INSTRUCTIONS:

1. Before starting assembly, review the General Installation Instructions at the beginning of this Installation Guide and the Typical Assembly Details in the back.
2. Determine proper location for Knee Lift. Refer to Equipment Layout Plan provided and any applicable project site drawings.
3. Dig footing for Knee lift. Maintain footing spacing, size and depth as indicated on the Plan View and Elevation View. Allow for depth of desired Finished Surface.
5. Position Knee Lift in footing; align, plumb, and brace post in place. Pour concrete as shown in Elevation View. Be sure to hold top of concrete footing 10" [25.40cm] down from the Finished Surface. Slope top of concrete for proper drainage.
6. Allow concrete a minimum of 48 hours to cure and harden before using Knee Lift.

MAINTENANCE PROCEDURE:

Periodically check hardware for tightness, and tighten as necessary. Always check parts for breakage or wear, and immediately put equipment out of service until any faulty parts are repaired or replaced. Check all decks for Plastisol coating peeling and touch up with Plastisol if necessary. Check for obstructed holes on deck, clean if necessary. Periodically check resilient surfacing for appropriate depth, and remove extraneous materials that could cause injury, infection, or disease. Maintain detailed installation, inspection, maintenance, and repair records for each public-use playground equipment.

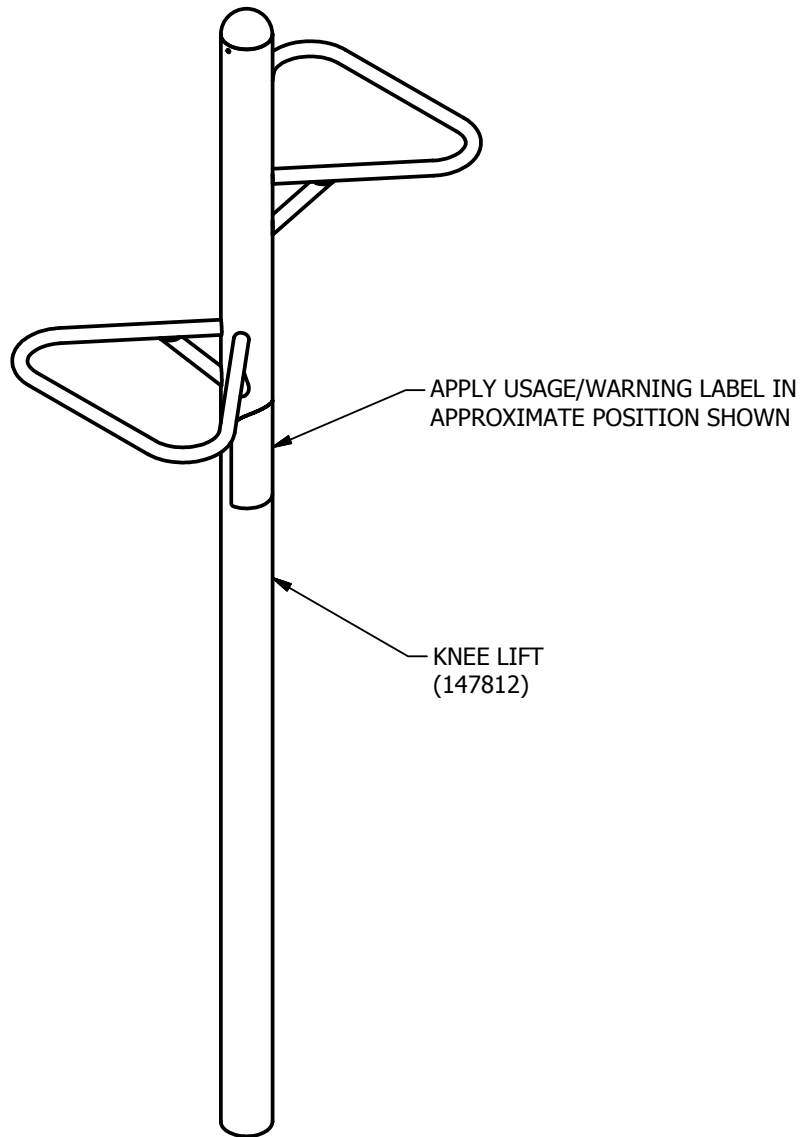


Please contact us at 1-800-790-8896 if you need further assistance or have any questions.

Thank you for your continued business!

Pet Waste Eliminator
www.petwasteeliminator.com

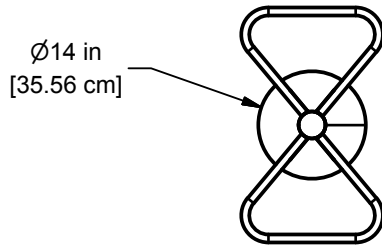
KNEE LIFT



 = INSTALLATION DETAIL

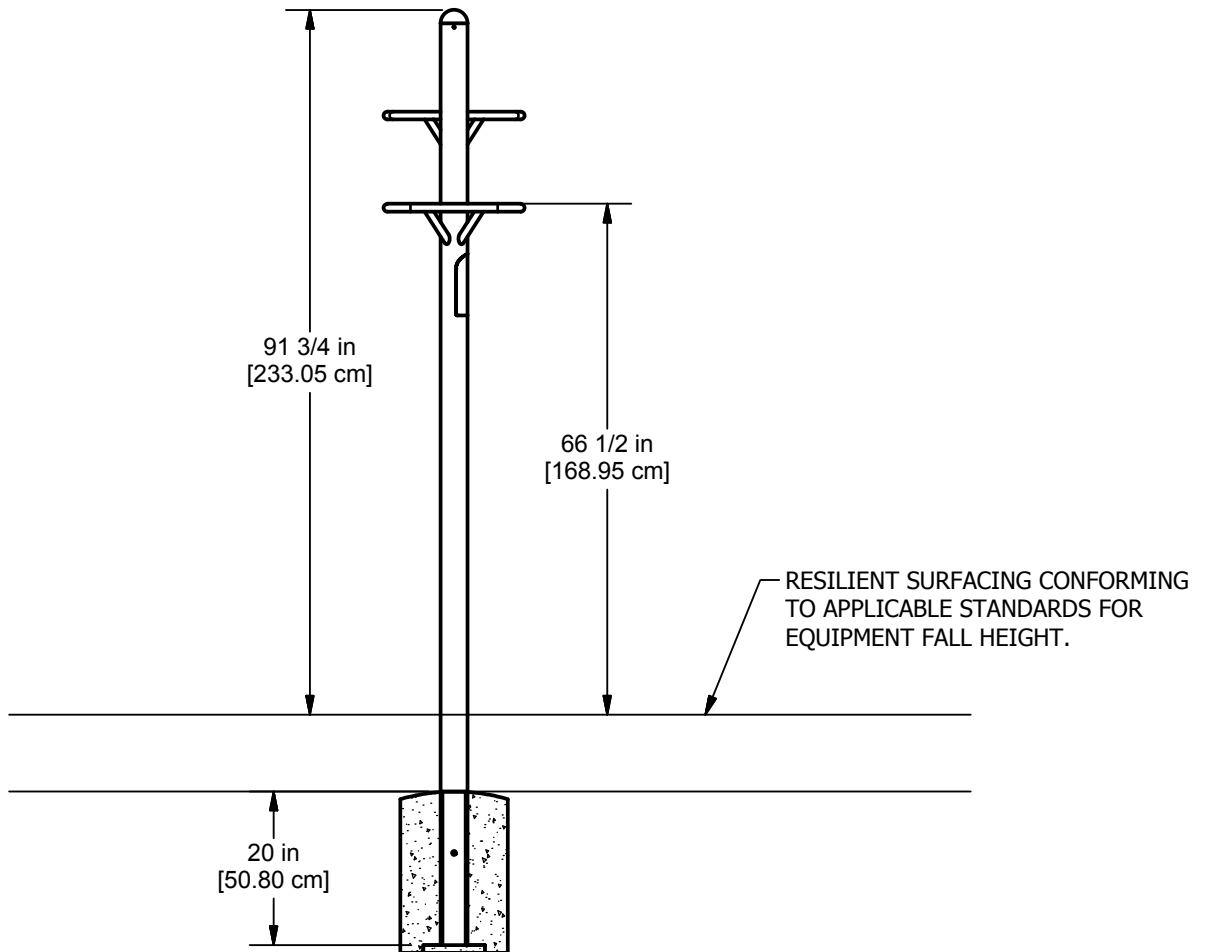
FINISHED ASSEMBLY

KNEE LIFT



PLAN VIEW

CONCRETE REQUIRED:
.07 CUBIC METERS
[.05 CUBIC YARDS]



ELEVATION VIEW

Pet Waste
ELIMINATOR™
Commercial Pet Waste Disposal System



Please contact us at 1-800-790-8896 if you need further assistance or have any questions.

Thank you for your continued business!

Pet Waste Eliminator
www.petwasteeliminator.com