

JOINT USE PULL-UP BAR

| Parts List | | |
|------------------------------|-----|-------------|
| DESCRIPTION | QTY | PART NUMBER |
| UPRIGHT | 1 | GRK5WH |
| UPRIGHT | 1 | GRK5WJ |
| UPRIGHT | 1 | GRK5WF |
| UPRIGHT | 1 | GRK5WG |
| PULL-UP BAR WELD ASS'Y | 3 | 206017 |
| HARDWARE COMPLETE | 1 | 403963 |
| 3/8" x 1" P.B.H.C.S. w/PATCH | 12 | 812050* |
| 3/8" LOCKWASHER | 12 | 817334* |
| USAGE/WARNING LABEL | 1 | 403855* |
| 3/8" FLAT WASHER | 12 | 817410* |

Unless Otherwise Specified, All Units of Measure are Each

**Items listed below Hardware Complete line are included with Hardware Complete Number*

Warning: During Installation, Hardware And Small Parts Are Choking Hazards For Young Children. Store Unused Parts Appropriately Until Assembly Is Completed. Once Assembly Is Completed, Remove Any Unused Parts From The Play Environment And Dispose/Save Them In A Secure Location. Any bolt end protruding more than two full threads beyond the face of the nut causes risk of clothing entanglement. Promptly cut-off flush, file smooth, and treat to prevent corrosion.

Note: Peen Tee-Nuts and Flatwashers to match radius of pipe after assembly is complete.

Note: Loctite (supplied by others) should be used on any non-patch hardware.

SPECIFICATIONS:

UPRIGHTS: Shall be fabricated of 3-1/2" O.D. galvanized pipe with cast aluminum cap and self-sealing pop rivets.

PULL-UP BAR: Shall be fabricated of 1-5/16" O.D. galvanized pipe and 3/16" x 1-3/4" C.R. steel mounting plates.

FITTINGS: Shall be cast in one piece from malleable iron. Nominal wall thickness shall be 5/32". Each casting shall be tapped to receive four (4) 3/8" set screws. Set screw shall be flush with casting after installation. Castings shall be hot dip galvanized.

HARDWARE: All nuts, bolts, screws, inserts, and lockwashers used in the assembly of all play equipment, shall be stainless steel, yellow dichromate plated steel, blue-coat plated steel, mechanically galvanized or powder coated/yellow dichromate plated steel. All primary fasteners shall be 300 series stainless steel. Fasteners with yellow dichromate treatment have an electro deposited, 99.9% pure zinc substrate applied from a specially formulated solution sealed with a yellow dichromate top coat designed to work in conjunction with the zinc plating. Yellow dichromate has a 320% longer life to white corrosion and 275% longer to red corrosion than does hot-dip galvanizing.



Please contact us at 1-800-790-8896 if you need further assistance or have any questions.

Thank you for your continued business!

Pet Waste Eliminator
www.petwasteeliminator.com

JOINT USE PULL-UP BAR

INSTALLATION INSTRUCTIONS:

NOTE: Do not overtighten bolts. To overtighten may cause buckling or dimpling of some parts.

NOTE: Read installation instructions thoroughly before starting assembly. Pour concrete only after final assembly is completed. Bracing material is required during assembly.

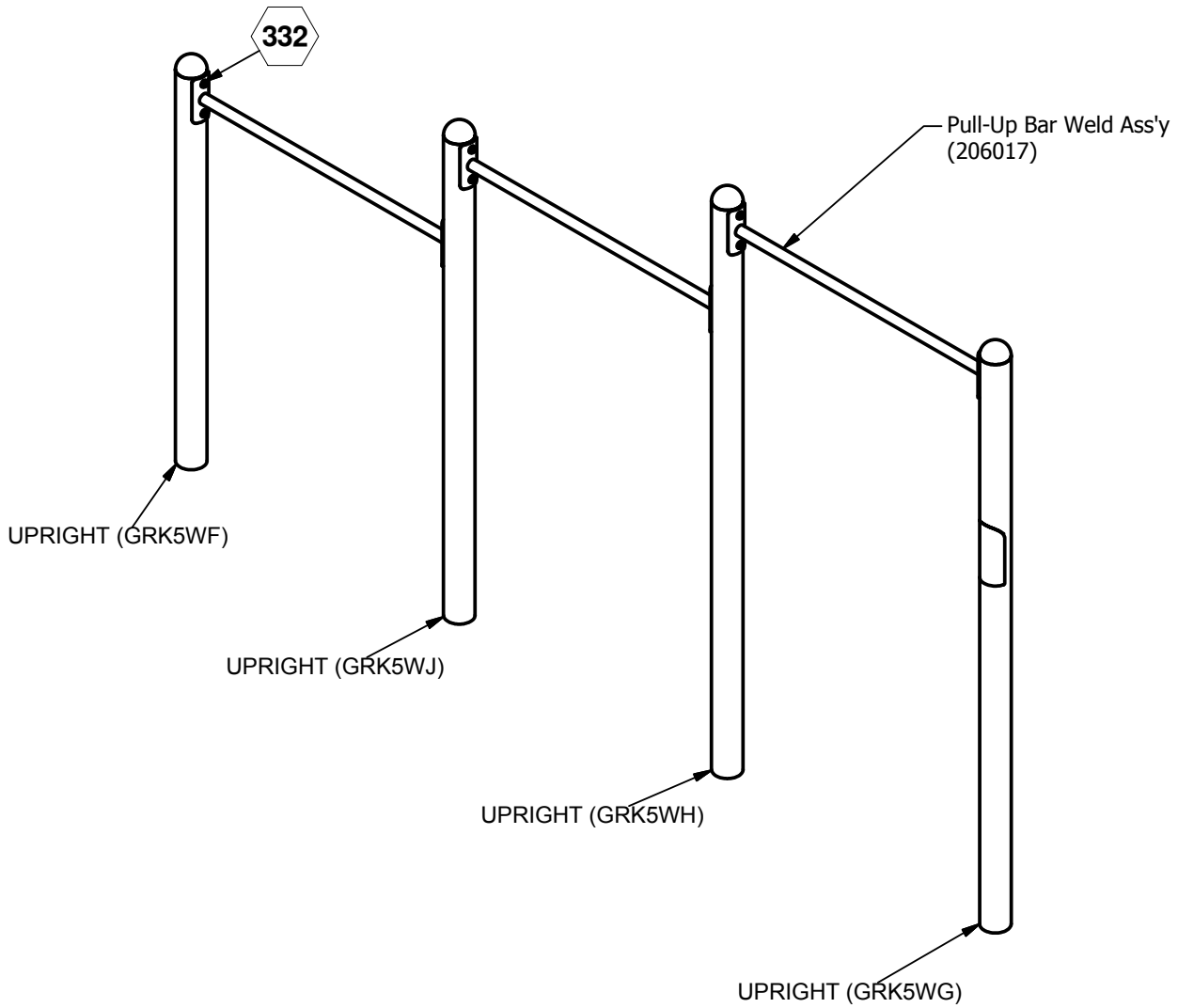
NOTE: Assembly and leveling times will be greatly reduced if a transit is used to set location and depth of ground holes.

1. Determine proper location for Joint Use Pull-Up Bar. Refer to Equipment Layout Plan provided and any applicable project site drawings.
2. Dig holes to receive Uprights according to dimensions shows in Top View. Footing dimensions are specified in Elevation view.
3. Place uprights in correct ground holes. Attach the Pull-up bars according to Detail 332. Level Uprights and cross bars and support them with wood or wire guides until the unit is ready for use. Be sure each leg is standing on a solid foundation block.
4. Pour concrete to within 12" [30.48cm] of ground level and fill remaining with earth and surfacing. Allow a minimum of 48 hours for concrete to cure and harden before using Pull-Up.

MAINTENANCE PROCEDURE:

Periodically check hardware for tightness, and tighten as necessary, also check if the entrapments and protrusions still satisfactory. Always check all metal parts for paint peeling, corrosion and touch up if necessary. Check all parts for cracks, breakage or wear, and immediately put equipment out of service until any faulty parts found are repaired or replaced. Check periodically resilient surfacing for appropriate depth and remove extraneous materials that could cause injury, infection, or disease. Maintain detailed installation, inspection, maintenance, and repair records for each public-use playground equipment.

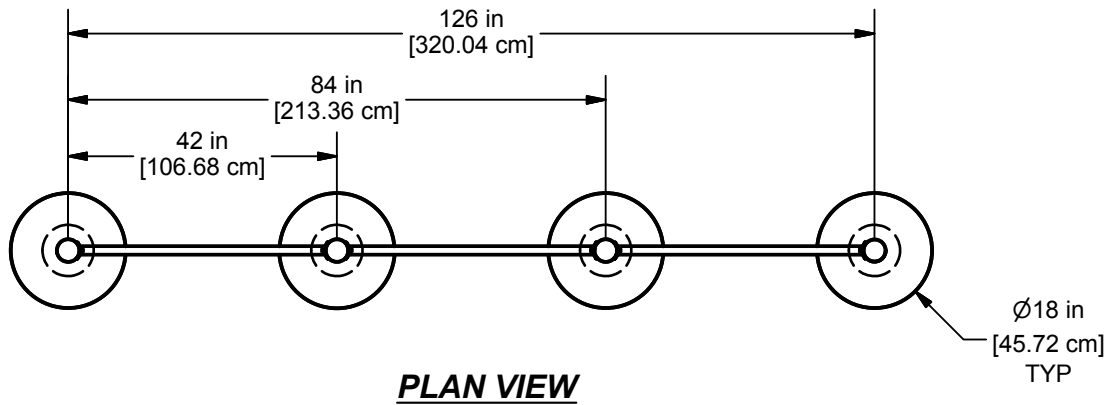
JOINT USE PULL-UP BAR



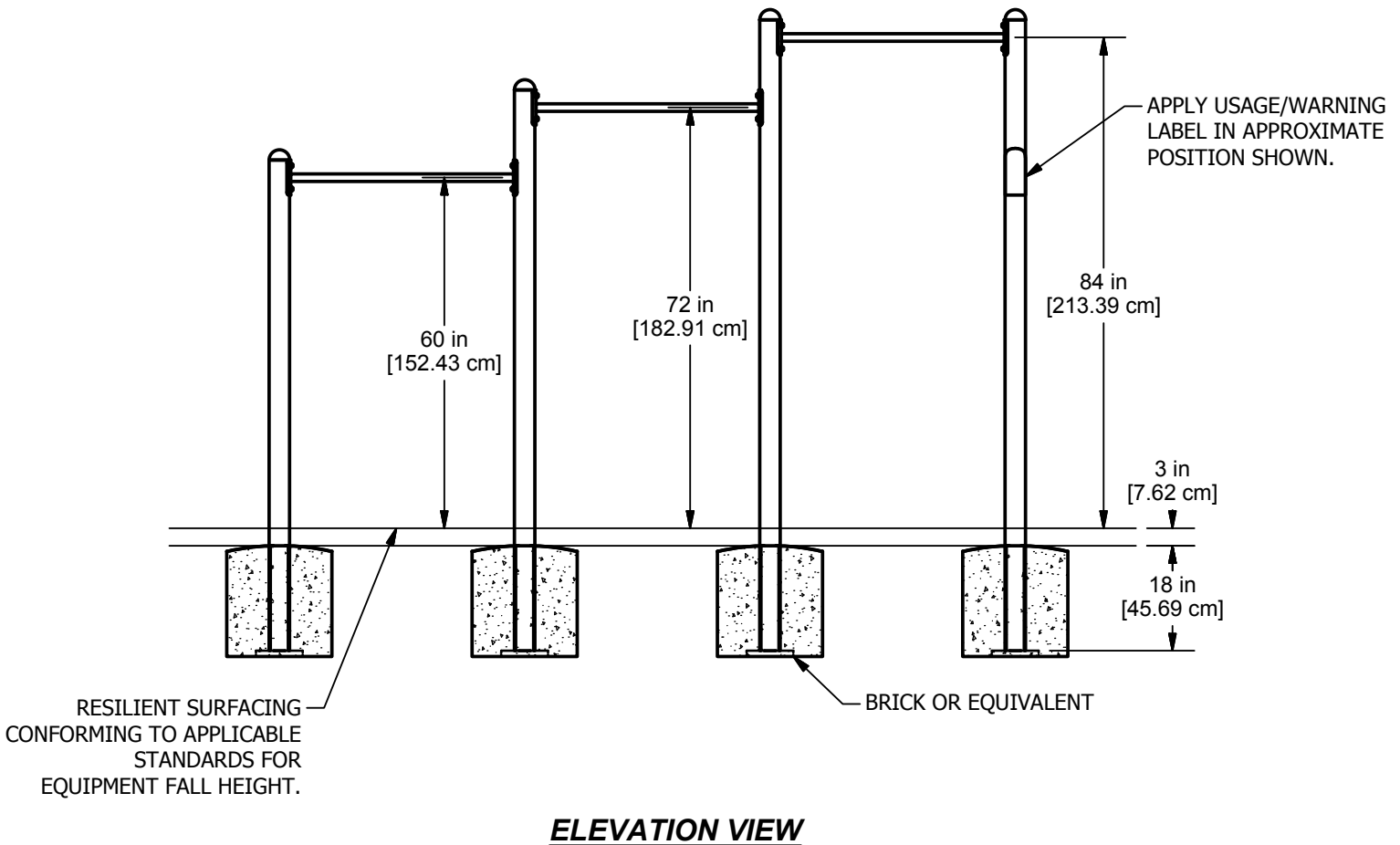
FINISHED ASSEMBLY

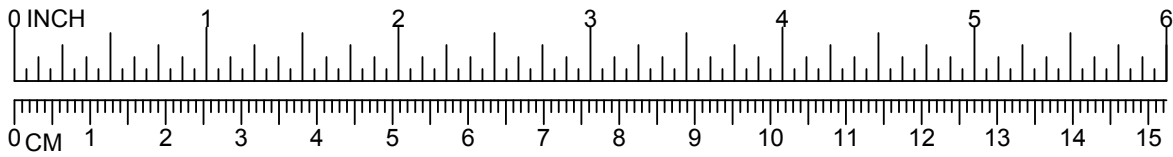
 = INSTALLATION DETAIL

JOINT USE PULL-UP BAR

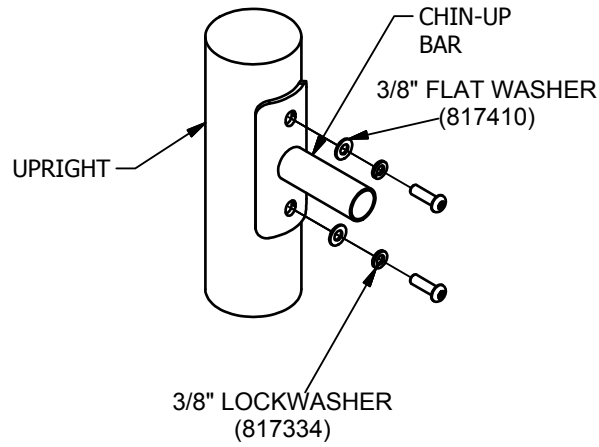


CONCRETE REQUIRED:
0.39 CUBIC YARDS
[0.3 CUBIC METERS]





JOINT USE PULL-UP BAR



332

Pet Waste
ELIMINATORTM
Commercial Pet Waste Disposal System



Please contact us at 1-800-790-8896 if you need further assistance or have any questions.

Thank you for your continued business!

Pet Waste Eliminator
www.petwasteeliminator.com