

STEP UP STATION

Parts List		
DESCRIPTION	QTY	PART NUMBER
UPRIGHT ASS'Y	1	157034
HANDHOLD	1	165837
PLATFORM	2	207100
UPRIGHT ASS'Y	1	310391
HARDWARE COMPLETE	1	403962
3/8" T-NUT	8	804556*
3/8" x 3/4" P.B.H.C.S. w/PATCH	6	812052*
3/8" x 2 3/4" P.B.H.C.S. w/PATCH	2	812058*
3/8" LOCKWASHER	8	817334*
USAGE WARNING LABEL	1	403854*

Unless Otherwise Specified, All Units of Measure are Each

**Items listed below Hardware Complete line are included with Hardware Complete Number*

Warning: During Installation, Hardware And Small Parts Are Choking Hazards For Young Children. Store Unused Parts Appropriately Until Assembly Is Completed. Once Assembly Is Completed, Remove Any Unused Parts From The Play Environment And Dispose/Save Them In A Secure Location. Any bolt end protruding more than two full threads beyond the face of the nut causes risk of clothing entanglement.

Promptly cut-off flush, file smooth, and treat to prevent corrosion.

Note: Peen Tee-Nuts and Flatwashers to match radius of pipe after assembly is complete.

Note: Loctite (supplied by others) should be used on any non-patch hardware.

SPECIFICATIONS:

The Platforms shall each be made from 12 gauge punched steel with a protective p&o finish. They shall each be a one-piece welded assembly finished with the matte PVC coating. Handhold shall be fabricated from 1 5/16" O.D. x .083" wall galvanized steel tubing, 2 3/8" O.D. x .095" steel tubing, and 1-1/4" O.D. pipe cap. Platform supports shall be all-welded assemblies and shall be coated with a custom formula of TGIC polyester powder.

INSTALLATION INSTRUCTIONS:

1. Dig holes to receive Platform Supports, and Handhold, according to dimensions shown in Top View. Footing dimension is specified in Elevation View.
2. Using Detail 247, attach Platforms to Platform Supports using 3/8" x 3/4" P.B.H.C.S. w/Patch, 3/8" Lock Washer, and 3/8" Tee Nut.
3. Using Detail 498, attach the Handhold to the Platform with 3/8" x 2 3/4" P.B.H.C.S. w/Patch, 3/8" Lock Washer, and 3/8" Tee Nut. See Elevation View for location of Handhold on appropriate Platform.
4. Plumb and level the entire assembly. Pour concrete footing within 4" to the top and taper away from supports to allow drainage. Allow to cure at least 48 hours before using.
5. Eliminate sharp points and sharp edges (burring) on installed hardware like bolts, nuts, etc. Install resilient surfacing material within the use zone of play structure in accordance with ASTM specifications F1292 appropriate for the fall height of each structure. Refer to the Safety Guidelines.



Please contact us at 1-800-790-8896 if you need further assistance or have any questions.

Thank you for your continued business!

Pet Waste Eliminator
www.petwasteeliminator.com

STEP UP STATION

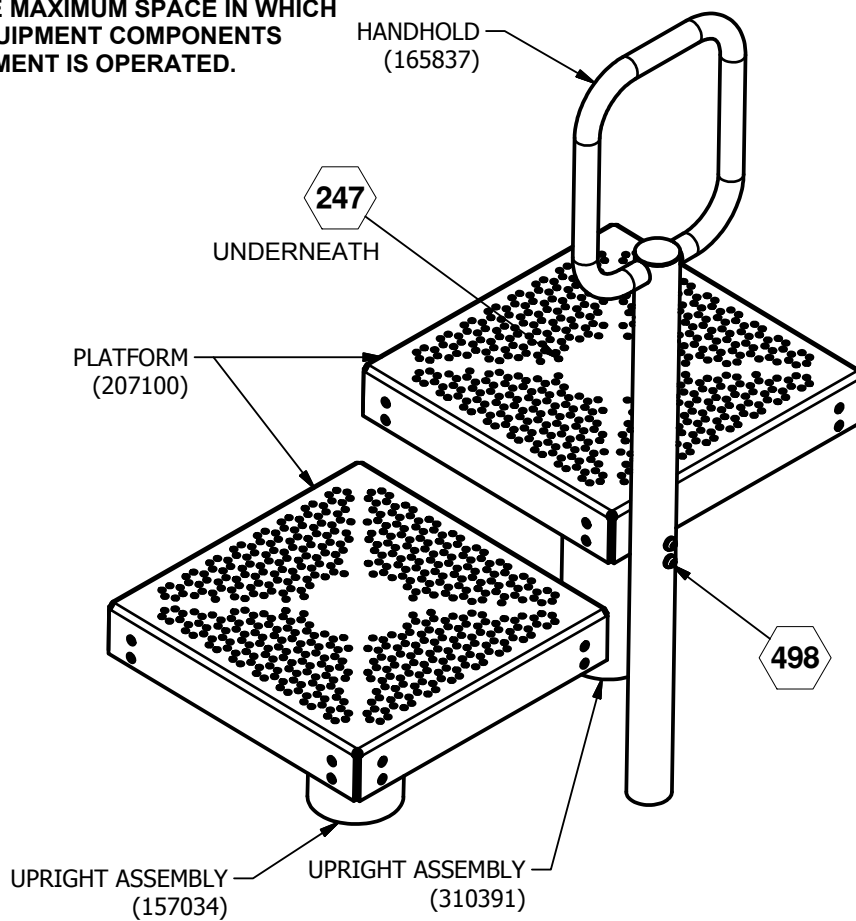
MAINTENANCE PROCEDURE:

Periodically check hardware for tightness, and tighten as necessary, also check if the entrapments and protrusions still satisfactory. Always check all metal parts for paint peeling, corrosion and touch up if necessary. Check all parts for cracks, breakage or wear, and immediately put equipment out of service until any faulty parts found are repaired or replaced. Check periodically resilient surfacing for appropriate depth and remove extraneous materials that could cause injury, infection, or disease. Maintain detailed installation, inspection, maintenance, and repair records for each public-use playground equipment.

NOTE:

**MINIMUM OF ONE USAGE/WARNING LABEL
SIGN POST (UP197) MUST BE USED WITH EACH
STEP UP STATION. SEE SIGN POST
INSTALLATION SHEET FOR INSTALLATION DETAILS.**

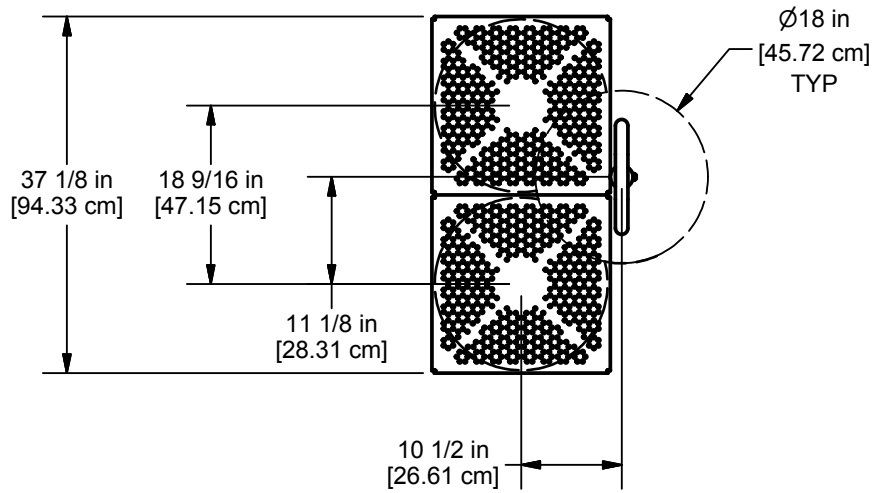
**SIGN POST MUST BE OUTSIDE MAXIMUM SPACE IN WHICH
THE USER AND EXERCISE EQUIPMENT COMPONENTS
TRAVERSE WHEN THE EQUIPMENT IS OPERATED.**



FINISHED ASSEMBLY

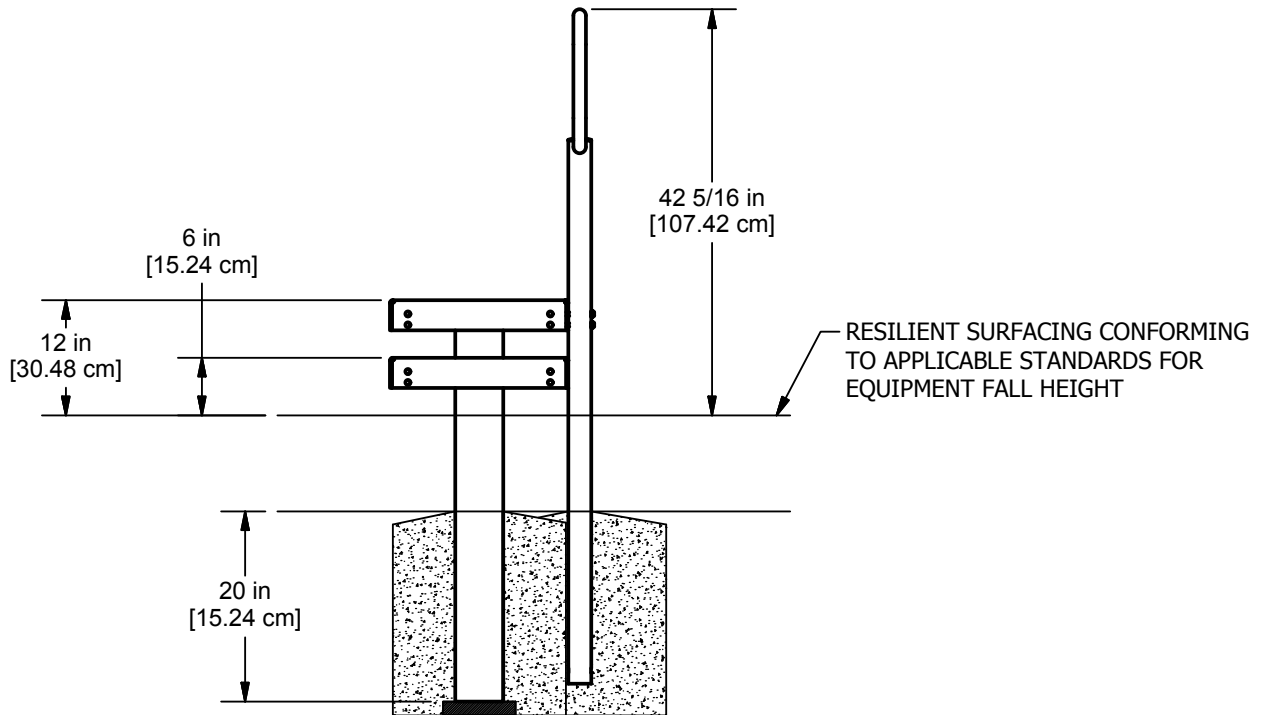
 = INSTALLATION DETAIL

STEP UP STATION

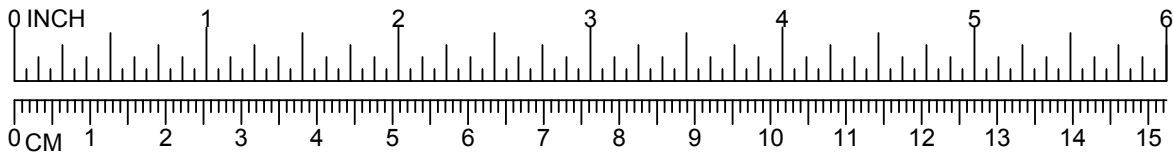


PLAN VIEW

CONCRETE REQUIRED:
0.39 CUBIC YARDS
[0.30 CUBIC METERS]



ELEVATION VIEW



UP264 STEP UP STATION

